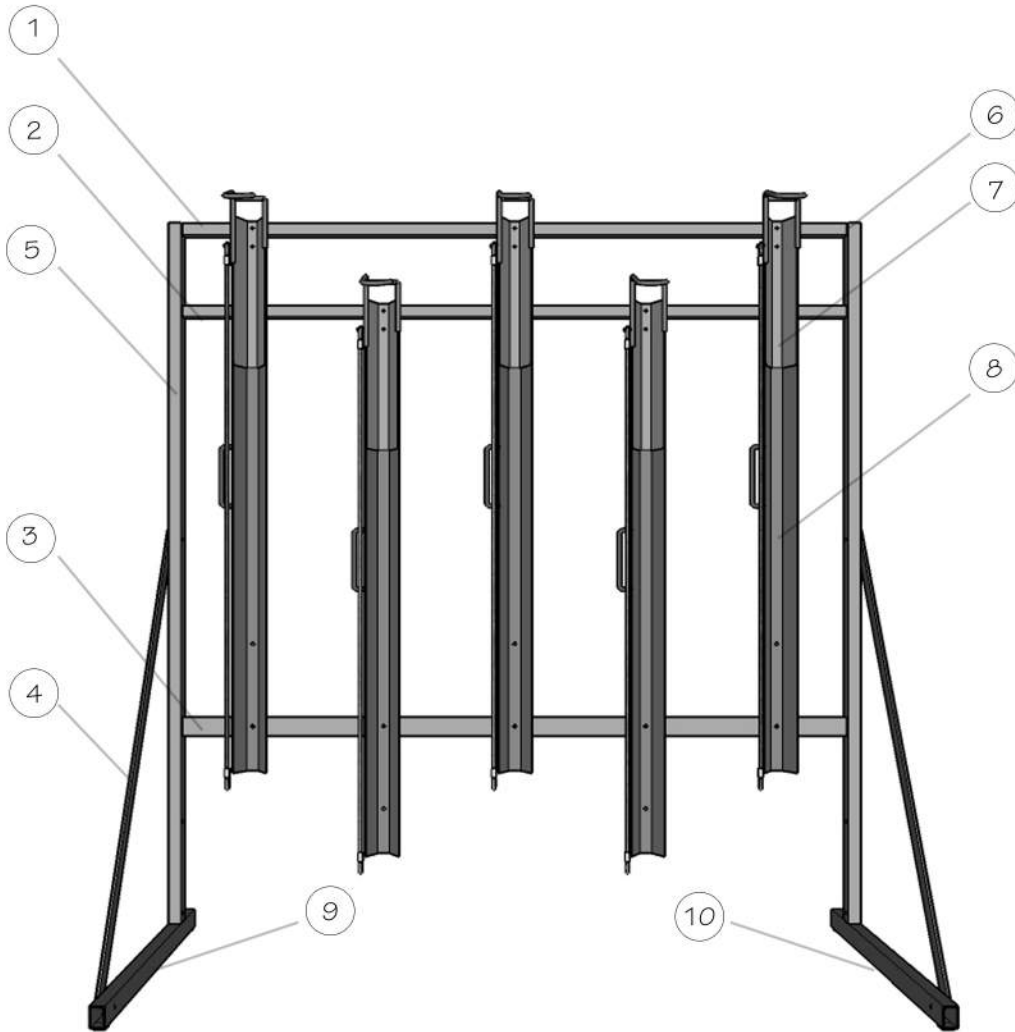


FREE MAX 5 BIKE

HARDWARE

5/16 X 2" BOLTS
 5/16" X 1/2" BOLTS
 1/2" X 1-1/2" PLUGS
 5/16" WASHERS
 5/16" STOPNUTS



1. TOP RAIL,
3 HOLE



2. TOP RAIL,
2 HOLE



3. BOTTOM RAIL,
5 HOLE



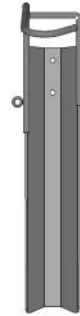
4. STABILIZER
BAR



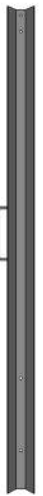
5. LEFT
VERTICAL
POST



6. RIGHT
VERTICAL
POST



7. WALL MAX
GUARD



8. WALL MAX



9. BASE LEFT



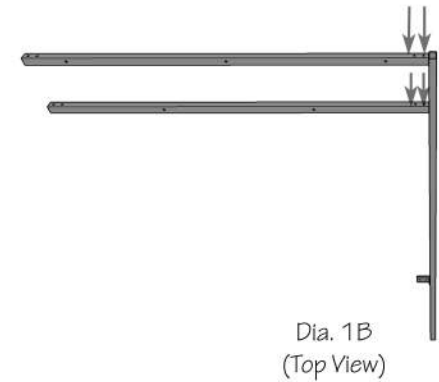
10. BASE RIGHT

ASSEMBLY INSTRUCTIONS

STEP ONE

Locate the Right Vertical Post and position it on the floor so the ears are facing inward. Take the Top Rail with 3 Holes and slide it over the top ear on the Vertical Post, as shown in Diagram 1. Line up the holes and thread a 5/16" x 1/2" Bolts and 5/16" Washer into the both of the holes and tighten.

Repeat this step with the Top Rail with 2 Holes, as shown in Diagram 1B.

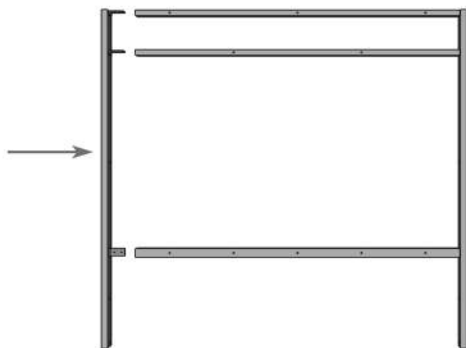


STEP TWO

Now, attach the Bottom Rail with 5 Holes to the Right Vertical Post. Lay it on the floor so the end lines up with the remaining ear, as shown in Diagram 2. Slide the rail over the ear and attach from behind using two 5/16" x 1/2" Bolts and Washers.

STEP THREE

Attach the Left Vertical Post by laying it on the floor with all of the ears pointing inward at the Right Vertical Post, as shown in Diagram 3. Attach the Post by repeating Steps 1 and 2.

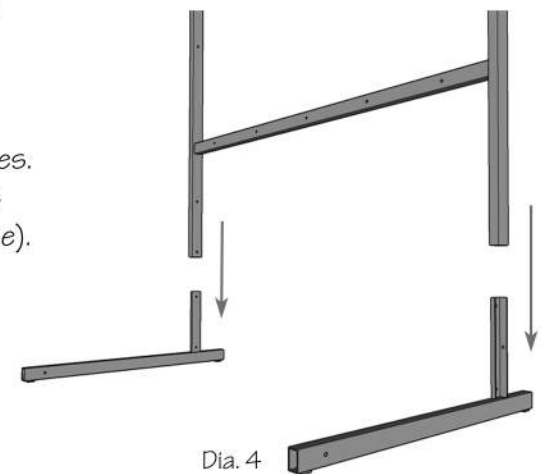


Dia. 3

STEP FOUR

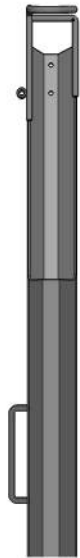
Locate the Left and Right Bases. Position both t-bases so the flat side is facing toward the inside of the rack. Keep the rack laying on the floor. Slide the Bases into the bottom of the Vertical Posts, as shown in Diagram 4.

Now, stand the rack up so you can secure the Bases. Use three 5/16" x 1/2" Bolts and 5/16" Washers (two on the inside and one on the back of each base).



Dia. 4

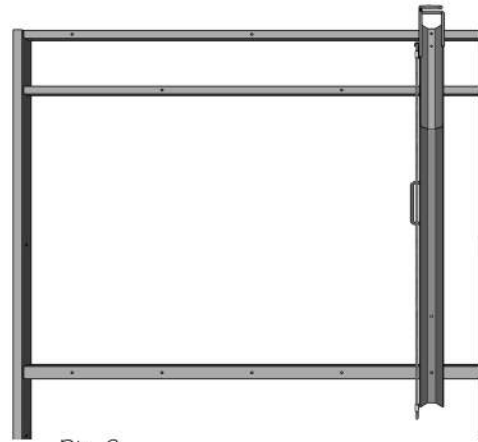
ASSEMBLY INSTRUCTIONS



Dia. 5

STEP FIVE

Locate one Wall Max Guard and one Wall Max. Place the Wall Max into the Guard, lining up the 2 holes at the top, as shown in Diagram 5. **DO NOT ATTACH**



Dia. 6

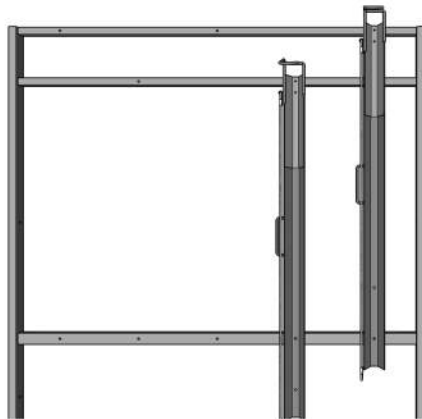
STEP SIX

Insert a 5/16" x 2" Bolt and 5/16" Washer through the top hole of the Guard and Max. Starting at one end of the structure, insert the bolt through the last hole on the Top Rail 3 Hole, as shown in Diagram 6. Secure with a 5/16" Washer and Stopnut.

Secure the bottom the Guard to the Bottom Rail 5 Hole using (2) 5/16" Washers, (1) 5/16" x 2" Bolt, and (1) Stopnut.

STEP SEVEN

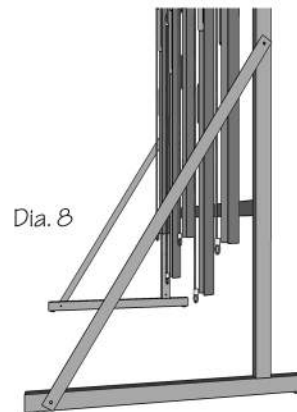
Repeat Steps 5 and 6, but stagger the trays by attaching the second one to the Top Rail 2 Hole, as shown in Diagram 7. Repeat for the remaining trays.



Dia. 7

STEP EIGHT

Finally, locate the (2) Stabilizer Bars. Attach the bar to the Right Vertical Post by inserting a 5/16" x 2" Bolt through the hole on the side of the VP, as shown in Diagram 8. Secure with 5/16" Stopnut. Attach the end of the bar to Base Right using a 5/16" x 2" Bolt and Stopnut. Repeat this step for the remaining Stabilizer Bar.



Dia. 8

Go back through and tighten any loose bolts. Your rack is now complete!

